

## 100G QSFP28 to 2x 50G QSFP28 AOC



### Features

- ◆ 4 channels full-duplex transceiver modules
- ◆ Transmission data rate up to 28Gbps per channel
- ◆ Support 40GE and 56G FDR data rate
- ◆ 4 channels 850nm VCSEL array
- ◆ 4 channels PIN photo detector array
- ◆ Internal CDR circuits on both receiver and transmitter channels
- ◆ Support CDR bypass
- ◆ Low power consumption: QSFP28- 100G < 2.5W and QSFP28-50G <1.6W
- ◆ Hot Pluggable QSFP form factor
- ◆ Maximum link length of 70m on OM3 Multimode Fiber (MMF)and 100m on OM4 MMF
- ◆ Single MPO connector receptacle
- ◆ Built-in digital diagnostic functions

- ◆ Operating case temperature 0°C to +70°C
- ◆ 3.3V power supply voltage
- ◆ RoHS 6 compliant (lead free)

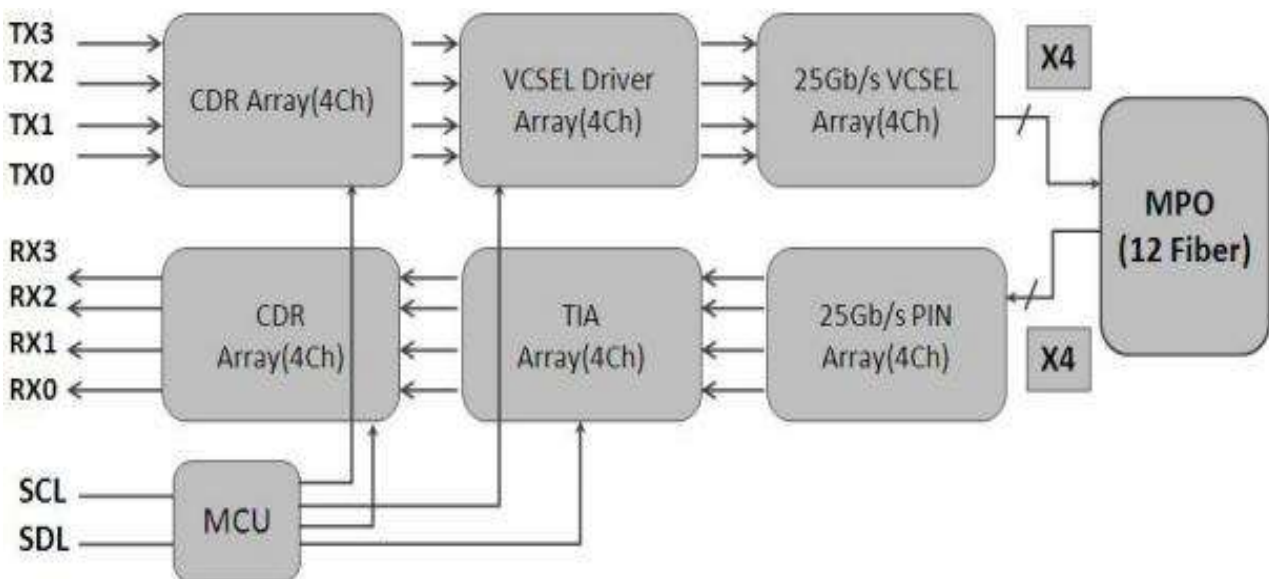
### Applications

- ◆ IEEE 802.3bm 100GBASE SR4 and 40GBASE SR4
- ◆ InfiniBand FDR/EDR
- ◆ 32G Fiber Channel

### Description

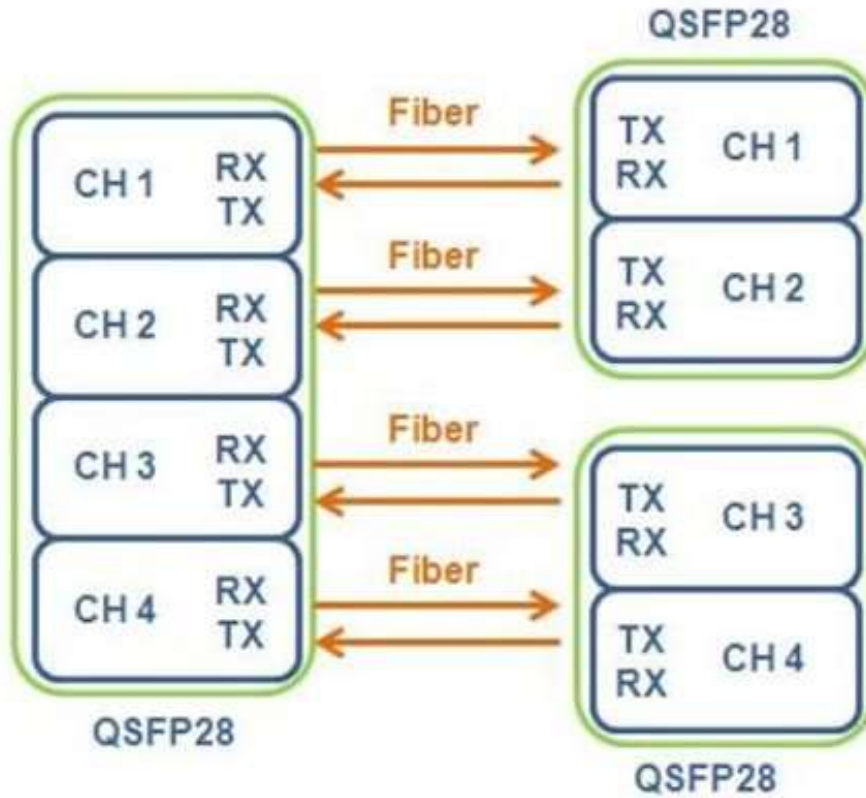
FIBERWDM’s QSFP28 to 2 x QSFP28 breakout Active Optical Cable is a Four-Channel, Parallel, Fiber-Optic QSFP28 SR4 for 100 or 40 Gigabit Ethernet, InfiniBand FDR/EDR and 32GFC Applications. This transceiver is a high-performance module for short-range multi-lane data communication and interconnect applications. It integrates four data lanes in each direction with 112.2 Gbps bandwidth. Each lane can operate at 28.05Gbps up to 70 m using OM3 fiber or 100 m using OM4 fiber. These modules are designed to operate over multimode fiber systems using a nominal wavelength of 850nm. The electrical interface uses a 38contact edge type connector. The optical interface uses an 12 fiber MTP (MPO) connector. This module incorporates FIBERWDM’s Technologies proven circuit and VCSEL technology to provide reliable long life, high performance, and consistent service.

**Figure1. 100G BASE-SR4 Module Block Diagram**



### QSFP28 to 2x QSFP28 Active Optical Cable Block Diagram

QSFP28 to 2x QSFP28 breakout Active Optical Cable is one kind of parallel transceiver. VCSEL and PIN array package is key technique, through I2C system can contact with module.



- Absolute Maximum Ratings

Parameter	Symbol	Min	Max	Unit
Supply Voltage	Vcc	-0.3	3.6	V
Input Voltage	Vin	-0.3	Vcc+0.3	V
Storage Temperature	Tst	-20	85	°C
Case Operating Temperature	Top	0	70	°C
Humidity( non- condensing)	Rh	5	95	%

## ● Recommended Operating Conditions

Parameter	Symbol	Min	Typical	Max	Unit
Supply Voltage	Vcc	3.13	3.3	3.47	V
Operating Case temperature	Tca	0		70	°C
Data Rate Per Lane	fd		25.78125	28.05	Gbps
Humidity	Rh	5		85	%
Power Dissipation QSFP28 end	Pm		2	2.5	W
Power Dissipation Fanout QSFP28 end			1.3	1.6	W
Fiber Bend Radius	Pb	3			cm

## Electrical Specifications

Parameter	Symbol	Min	Typical	Max	Unit
Differential input impedance	Zin	90	100	110	ohm
Differential Output impedance	Zout	90	100	110	ohm
Differential input voltage amplitude	$\Delta V_{in}$	300		1100	mVp-p
Differential output voltage amplitude	$\Delta V_{out}$	500		800	mVp-p
Skew	Sw			300	ps
Input Logic Level High	V <sub>IH</sub>	2.0		V <sub>CC</sub>	V
Input Logic Level Low	V <sub>IL</sub>	0		0.8	V
Output Logic Level High	V <sub>OH</sub>	V <sub>CC</sub> -0.5		V <sub>CC</sub>	V
Output Logic Level Low	V <sub>OL</sub>	0		0.4	V

### Note:

1. Differential input voltage amplitude is measured between TxnP and TxnN .
2. Differential output voltage amplitude is measured between RxnP and RxnN .

## ● Optical Characteristics

### Table 3 - Optical Characteristics

Parameter	Symbol	Min	Typical	Max	Unit	Notes
<b>Transmitter</b>						
Centre Wavelength	$\lambda_c$	840	850	860	nm	-
RMS spectral width	$\Delta\lambda$	-	-	0.6	nm	-
Average launch power, each lane	$P_{out}$	-8.4	-	2.4	dBm	-
Optical Modulation Amplitude (OMA),each lane	OMA	-6.4	-	3	dBm	-
Transmitter and dispersion eye closure(TDEC), each lane	TDEC	-	-	4.3	dB	-
Extinction Ratio	ER	3	-	-	dB	-
Average launch power of OFF transmitter, each lane				-30	dB	-
Eye Mask coordinates: X1, X2, X3, Y1, Y2, Y3		SPECIFICATION VALUES {0.3,0.38,0.45,0.35,0.41,0.5}				Hit Ratio = 5x10 <sup>-5</sup>
<b>Receiver</b>						
Centre Wavelength	$\lambda_c$	840	850	860	nm	-
Stressed receiver sensitivity in OMA				-5.2	dBm	1
Maximum Average power at receiver , each lane				2.4	dBm	-
Minimum Average power at receiver , each lane				- 10.3	dBm	-
Receiver Reflectance				- 12	dB	-
LOS Assert		-30			dBm	-
LOS De- Assert – OMA				-7.5	dBm	-
LOS Hysteresis		0.5			dB	-

#### Note:

1 .Measured with conformance test signal at TP3 for BER = 1e-5

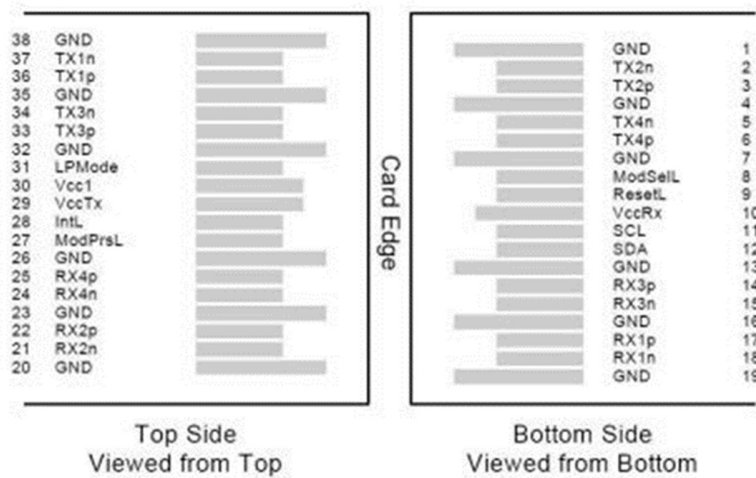
## ● Pin Descriptions

Pin	Logic	Symbol	Name/ Description	Ref.
1		GND	Module Ground	1
2	CML-I	Tx2-	Transmitter inverted data input	
3	CML-I	Tx2-	Transmitter non-inverted data input	
4		GND	Module Ground	1
5	CML-I	Tx4-	Transmitter inverted data input	
6	CML-I	Tx4-	Transmitter non-inverted data input	
7		GND	Module Ground	1
8	LVTTTL-I	MODSEIL	Module Select	2
9	LVTTTL-I	ResetL	Module Reset	2
10		VCCRx	+ 3.3v Receiver Power Supply	
11	LVC MOS-I	SCL	2-wire Serial interface clock	2
12	LVC MOS-I/O	SDA	2-wire Serial interface data	2
13		GND	Module Ground	1
14	CML-O	RX3+	Receiver non-inverted data output	
15	CML-O	RX3-	Receiver inverted data output	
16		GND	Module Ground	1
17	CML-O	RX1+	Receiver non-inverted data output	
18	CML-O	RX1-	Receiver inverted data output	
19		GND	Module Ground	1
20		GND	Module Ground	1
21	CML-O	RX2-	Receiver inverted data output	
22	CML-O	RX2+	Receiver non-inverted data output	
23		GND	Module Ground	1
24	CML-O	RX4-	Receiver inverted data output	
25	CML-O	RX4+	Receiver non-inverted data output	
26		GND	Module Ground	1
27	LVTTTL-O	ModPrsL	Module Present, internal pulled down to GND	
28	LVTTTL-O	IntL	Interrupt output, should be pulled up on host board	2
29		VCCTx	+ 3.3v Transmitter Power Supply	
30		VCC1	+ 3.3v Power Supply	
31	LVTTTL-I	LPMODE	Low Power Mode	2
32		GND	Module Ground	1
33	CML-I	Tx3+	Transmitter non-inverted data input	
34	CML-I	Tx3-	Transmitter inverted data input	

35		GND	Module Ground	1
36	CML-I	Tx1+	Transmitter non-inverted data input	
37	CML-I	Tx1-	Transmitter inverted data input	
38		GND	Module Ground	1

**Notes:**

- 1 . Module circuit ground is isolated from module chassis ground within the module .
2. Open collector; should be pulled up with 4.7k – 10k ohms on host board to a voltage between 3.15V and 3.6V.



Electrical Pin- out Details

**ModSelL Pin**

The ModSelL is an input pin. When held low by the host, the module responds to 2-wire serial communication commands. The ModSelL allows the use of multiple QSFP modules on a single 2-wire interface bus. When the ModSelL is “High” , the module will not respond to any 2-wire interface communication from the host. ModSelL has an internal pull-up in the module.

**ResetL Pin**

Reset. LPMODE\_Reset has an internal pull-up in the module. A low level on the ResetL pin for longer than the minimum pulse length (t\_Reset\_init) initiates a complete module reset, returning all user module settings to their default state. Module Reset Assert Time (t\_init) starts on the rising edge after the low level on the ResetL pin is released. During the execution of a reset (t\_init) the host shall disregard all status bits until the module indicates a completion of the reset interrupt. The module indicates this by posting an IntL signal with the Data\_Not\_Ready bit negated. Note that on power up (including hot insertion) the module will post this completion of reset interrupt without requiring a reset.

**LPMODE Pin**

Color-chip QSFP28 SR4 operate in the low power mode (less than 1.5 W power consumption) This pin active high will

decrease power consumption to less than 1W .

**ModPrsL Pin**

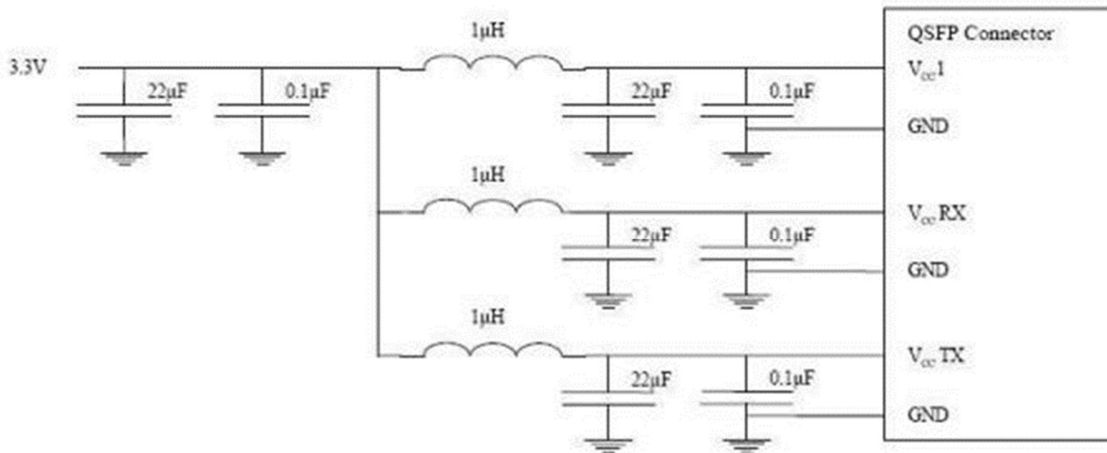
ModPrsL is pulled up to Vcc on the host board and grounded in the module. The ModPrsL is asserted “Low” when the module is inserted and deasserted “High” when the module is physically absent from the host connector.

**IntL Pin**

IntL is an output pin. When “Low” , it indicates a possible module operational fault or a status critical to the host system . The host identifies the source of the interrupt by using the 2-wire serial interface. The IntL pin is an open collector output and must be pulled up to Vcc on the host board.

**Power Supply Filtering**

The hc



Host Board Power Supply Filtering

**DIAGNOSTIC MONITORING INTERFACE**

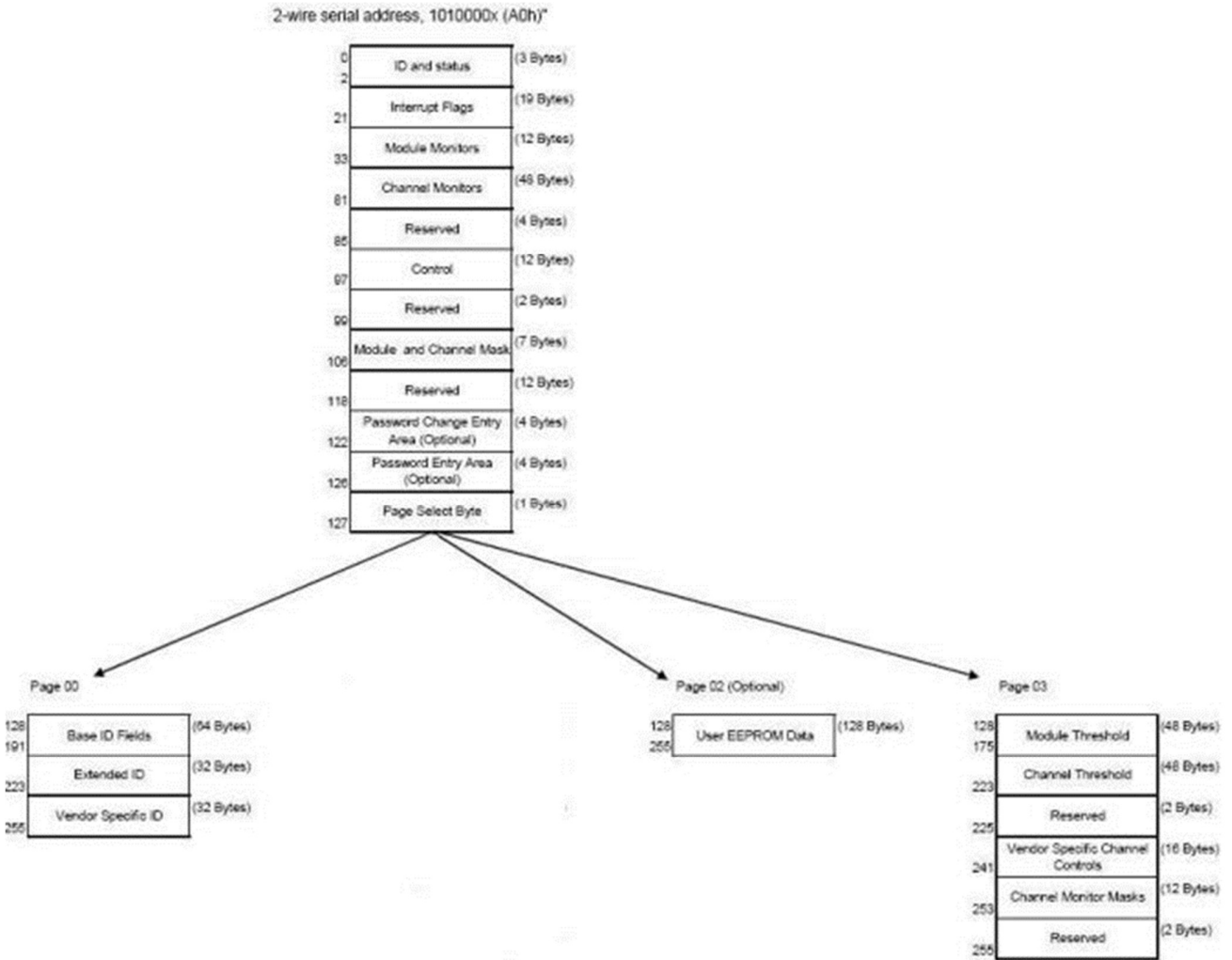
Digital diagnostics monitoring function is available on all Color-chip QSFP28 AOC. A 2-wire serial interface provides user to contact with module.

The structure of the memory is shown in Figure 5. The memory space is arranged into a lower, single page, address space of 128 bytes and multiple upper address space pages. This structure permits timely access to addresses in the lower page, such as Interrupt Flags and Monitors. Less time critical time entries, such as serial ID information and threshold settings, are



available with the Page Select function.

The interface address used is A0xh and is mainly used for time critical data like interrupt handling in order to enable a one-time-read for all data related to an interrupt situation. After an interrupt, IntL, has been asserted, the host can read out the flag field to determine the affected channel and type of flag.



QSFP Memory Map

## ● Low Memory Map

Byte Address	Description	Type
0	Identifier(1 Byte)	Read Only
1-2	Status(2 Bytes)	Read Only
3-21	Interrupt Flags (31 Bytes)	Read Only
22-33	Module Monitors(12 Bytes)	Read Only
34-81	Channel Monitors(48 Bytes)	Read Only
82-85	Reserved(4Bytes)	Read Only
86-97	Control(12 Bytes)	Read/Write
98-99	Reserved(2 Bytes)	Read/Write
100-106	Module and Channel Masks(7 Bytes)	Read/Write
107-118	Reserved(12 Bytes)	Read/Write
119-122	Reserved(4 Bytes)	Read/Write
123-126	Reserved(4 Bytes)	Read/Write
127	Page Select Byte Read	Read/Write

## ● Page 03 Memory Map

Byte Address	Description	Type
128-175	Module Thresholds(48 Bytes)	Read Only
176-223	Reserved(48 Bytes)	Read Only
224-225	Reserved(2 Bytes)	Read Only
226-239	Reserved(14 Bytes)	Read/Write
240-241	Channel Controls(2 Bytes)	Read/Write
242-253	Reserved(12 Bytes)	Read/Write
254-255	Reserved(2 Bytes)	Read/Write

## ● Page 00 Memory Map

Byte Address	Description	Type
128	Identifier(1 Byte)	identifier Type of serial transceiver
129	Ext. Identifier(1 Byte)	Extended identifier of serial transceiver
130	Connector (1 Byte)	Code for connector type
131-138	Transceiver(8 Bytes)	Code for electronic compatibility or optical compatibility
139	Encoding (1 Byte)	Code for serial encoding algorithm
140	BR, nominal (1 Byte)	Nominal bit rate. units of 100 Mbits/s
141	Extended Rate Select Compliance(1 Byte)	Tags for Extended Rate Select compliance

142	Length SMF(1 Byte)	Link length supported for SM fiber in km
143	Length E-50 um(1 Byte)	Link length supported for EBW 50/125um fiber units of 2m
144	Length 50um(1 Byte)	Link length supported for 50/125 um fiber units of 1m
145	Length 62.5um(1 Byte)	Link length supported for 62.5/125um fiber units of 1m
146	Length copper(1 Byte)	Link length supported for copper, units of 1m
147	Device Tech(1 Byte)	Device technology
148-163	Vendor name (16 Bytes)	QSFP vendor name (ASCII)
164	Extended Transceiver(1 Byte)	Extended Transceiver Codes for Infini Band
165-167	Vendor OUI (3 Bytes)	QSFP vendor IEEE vendor company ID
168-183	Vendor PN(16 Bytes)	Part number provided by QSFP vendor(ASCII)
184-185	Vendor rev(2 Bytes)	Revision level for part number provided by vendor (ASCII)
186-187	Wavelength(2 Bytes)	Nominal laser wavelength(Wavelength=value/20 in nm)
188-189	Wavelength Tolerance(2 Bytes)	Guaranteed range of laser wavelength(+/-value)from Nominal wavelength(Wavelength Tol=value/200 in n
190	Max Case Temp(1 Byte)	Maximum Case Temperature in Degrees C
191	CC_BASE(1 Byte)	Check code for Base ID fields(addresses 128-190
192-195	Options (4 Bytes)	Rate Select TX Disable. TX Fault .LOS
196-211	Vendor SN(16 Bytes)	Serial number provided by vendor (ASCII)
212-219	Date code (8 Bytes)	Vendor's manufacturing date code
220	Diagnostic Monitoring Type(1 Byte)	Indicates which type of diagnostic monitoring is implemented
221	Enhanced Options(1 Byte)	indicates which optional enhanced features are implemented
222	Reserved(1 Byte)	Reserved
223	CC_EXT	Check code for the Extended ID Fields(addresses 192-222)
224-255	Vendor Specific(32 Bytes)	Vendor Specific EEPROM

Page02 is User EEPROM and its format decided by user.

The detail description of low memory and page00.page03 upper memory please see SFF-8436 document.

## ● Timing Specifications

Parameter	Symbol	Max	Unit	Conditions
Initialization Time	t_init	2000	ms	Time from power on <sup>1</sup> , hot plug or rising edge of Reset until the module is fully functional <sup>2</sup>
Reset Init Assert Time	t_reset_init	2	μs	A Reset is generated by a low level longer than the minimum reset pulse time present on the Reset pin.
Serial Bus Hardware Ready Time	t_serial	2000	ms	Time from power on <sup>1</sup> until module responds to data transmission over the 2-wire serial bus

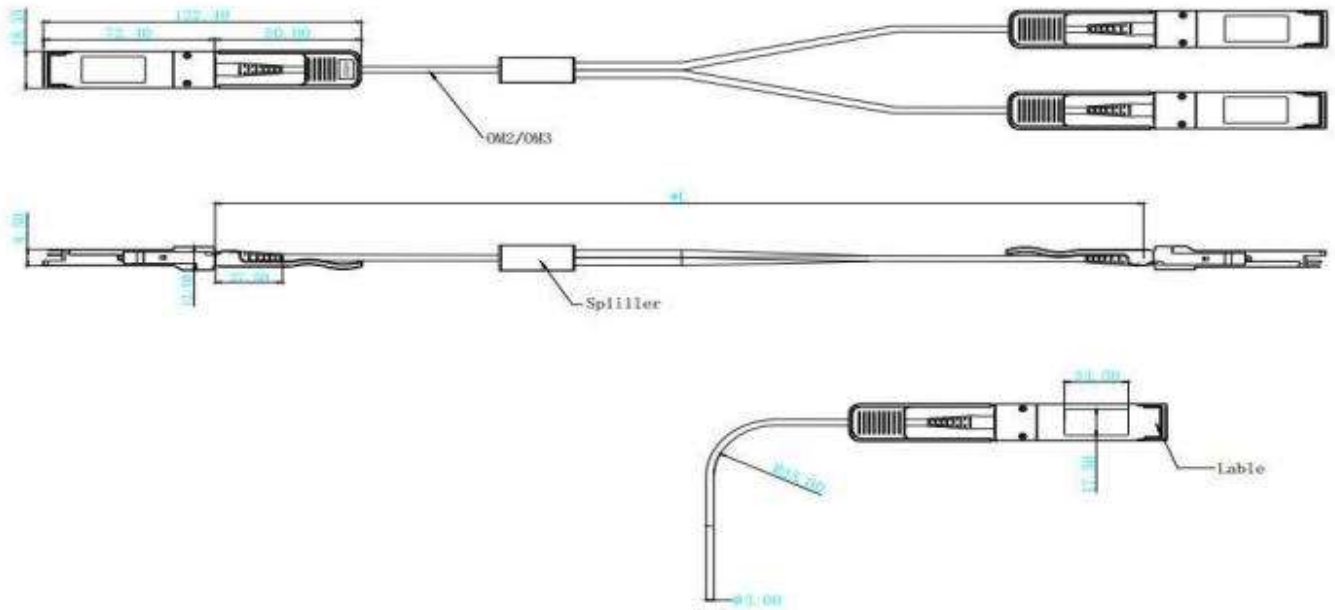
Monitor Data Ready Time	t_data	2000	ms	Time from power on <sup>1</sup> to data not ready, bit 0 of Byte 2, deasserted and IntL asserted
Reset Assert Time	t_reset	2000	ms	Time from rising edge on the ResetL pin until the module is fully functional <sup>2</sup>
LPMODE Assert Time	ton_LPMODE	100	μs	Time from assertion of LPMODE ( Vin: LPMODE = Vih) until module power consumption enters lower Power Level
IntL Assert Time	ton_IntL	200	ms	Time from occurrence of condition triggering IntL until Vout: IntL = Vol
IntL Deassert Time	toff_IntL	500	μs	Time from clear on read <sup>3</sup> operation of associated flag until Vout: IntL = Voh. This includes deassert times for Rx LOS, Tx Fault and other flag bits .
Rx LOS Assert Time	ton_los	100	ms	Time from Rx LOS state to Rx LOS bit set and IntL asserted
Tx Fault Assert Time	ton_Txfault	200	ms	Time from Tx Fault state to Tx Fault bit set and IntL asserted
Flag Assert Time	ton_flag	200	ms	Time from occurrence of condition triggering flag to associated flag bit set and IntL asserted
Mask Assert Time	ton_mask	100	ms	Time from mask bit set <sup>4</sup> until associated IntL assertion is inhibited
Mask Deassert Time	toff_mask	100	ms	Time from mask bit cleared <sup>4</sup> until associated IntL operation resumes
ModSelL Assert Time	ton_ModSelL	100	μs	Time from assertion of ModSelL until module responds to data transmission over the 2 - wire serial bus
ModSelL Deassert Time	toff_ModSelL	100	μs	Time from deassertion of ModSelL until the module does not respond to data transmission over the 2 - wire serial bus

Note:

- 1 . Power on is defined as the instant when supply voltages reach and remain at or above the minimum specified value .
- 2 . Fully functional is defined as IntL asserted due to data not ready bit, bit 0 byte 2 deasserted.
- 3 . Measured from falling clock edge after stop bit of read transaction.
4. Measured from falling clock edge after stop bit of write transaction.

## Mechanical Specifications

### Mechanical Dimensions



### Ordering information

Part Number	Product Description
QSFP28-2x50G-AOCXXM	QSFP28 to 2xQSFP28, 100GBASE-SR4, Active Optical Cable 70m on OM3 Multimode Fiber (MMF) and 100m on OM4 Low power version

### References

1. SFF-8436 QSFP+
2. Ethernet 100GBASE-SR4